


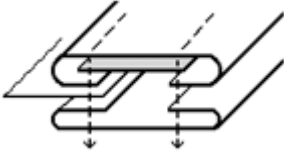


## FKHF Attachments


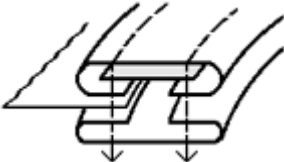
### Multi-needle Machine

#### *Attachment for Multi-needle Machine*


#### FKHF11

	Two Pieces Waist Band Folder																		
		<table border="1"> <thead> <tr> <th>Tape</th> <th>Finished</th> </tr> </thead> <tbody> <tr> <td>2"</td> <td>1"</td> </tr> <tr> <td>2-1/8"</td> <td>1-1/8"</td> </tr> <tr> <td>2-1/4"</td> <td>1-1/4"</td> </tr> <tr> <td>2-3/8"</td> <td>1-3/8"</td> </tr> <tr> <td>2-1/2"</td> <td>1-1/2"</td> </tr> <tr> <td>2-5/8"</td> <td>1-5/8"</td> </tr> <tr> <td>2-3/4"</td> <td>1-3/4"</td> </tr> <tr> <td>2-7/8"</td> <td>1-7/8"</td> </tr> </tbody> </table>	Tape	Finished	2"	1"	2-1/8"	1-1/8"	2-1/4"	1-1/4"	2-3/8"	1-3/8"	2-1/2"	1-1/2"	2-5/8"	1-5/8"	2-3/4"	1-3/4"	2-7/8"
Tape	Finished																		
2"	1"																		
2-1/8"	1-1/8"																		
2-1/4"	1-1/4"																		
2-3/8"	1-3/8"																		
2-1/2"	1-1/2"																		
2-5/8"	1-5/8"																		
2-3/4"	1-3/4"																		
2-7/8"	1-7/8"																		

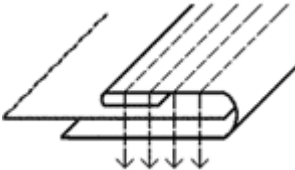
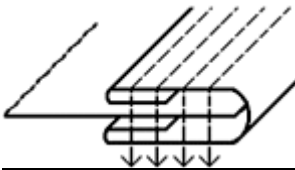
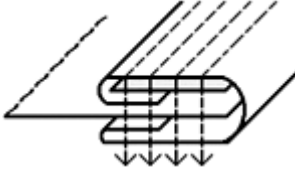
#### FKHF11CU

	Two Pieces Curve Waist Band Folder						
		<table border="1"> <thead> <tr> <th colspan="2">Standard size</th> </tr> <tr> <th>Tape Size</th> <th>Finished size</th> </tr> </thead> <tbody> <tr> <td>2-1/2"</td> <td>1-1/2"</td> </tr> </tbody> </table> <p>Other size can be tailor-made</p>	Standard size		Tape Size	Finished size	2-1/2"
Standard size							
Tape Size	Finished size						
2-1/2"	1-1/2"						


## FKHF33



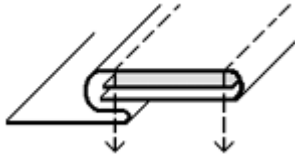
**Waist Band Folder**

	Tape size	Finished Size
<b>A</b> 	2-3/4"	1"
	3"	1-1/8"
	3-1/4"	1-1/4"
<b>B</b> 	3-1/2"	1-3/8"
	3-3/4"	1-1/2"
	4"	1-1/2"
<b>BL</b> 	4"	1-5/8"
	4-1/4"	1-3/4"
	4-1/2"	1-7/8"
	4-3/4"	2"
	5-1/4"	2-1/4"
	5-3/4"	2-1/2"

## FKHF35



**Imitation Folder**

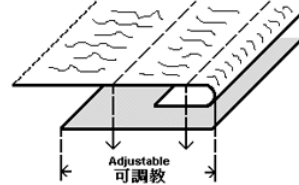
	Finished Size	
	1"	1-1/8"
	1-3/16"	1-1/4"
	1-3/8"	1-1/2"

## FKHF45



### Bottom Elastic Waist Band Folder

Bottom elastic size is adjustable.

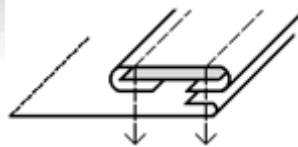


## FKHF55



### Top Center Plait Folder


(for double needle machine and multi-needle machine)



Finished size

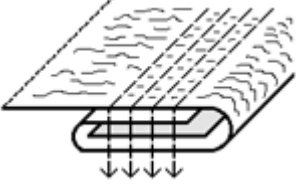
3/4"	7/8"
1"	1-1/8"
1-1/4"	1-3/8"
1-1/2"	1-5/8"
1-3/4"	

## FKHF58



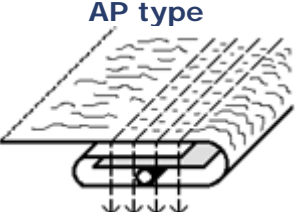
### Downturn Elastic Hemmer

**A type**

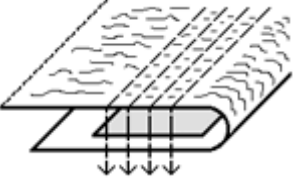


Size of Elastic	
1"	1-1/8"
1-1/4"	1-3/8"
1-1/2"	1-3/4"
2"	

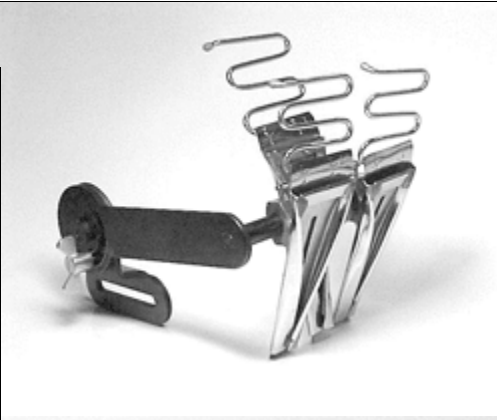
**AP type**



**C type**



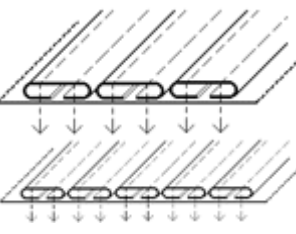
## FKHF72



### Multi Tape Attaching Folder

Tape	Finished
5/8"	1/4" Overlapped
3/4"	5/16" Overlapped
3/4"	3/8"
7/8"	3/8" Overlapped
1"	1/2"
1-1/8"	1/2" Overlapped
1-1/4"	5/8"
1-3/8"	5/8" Overlapped
1-1/2"	3/4"
1-3/4"	7/8"

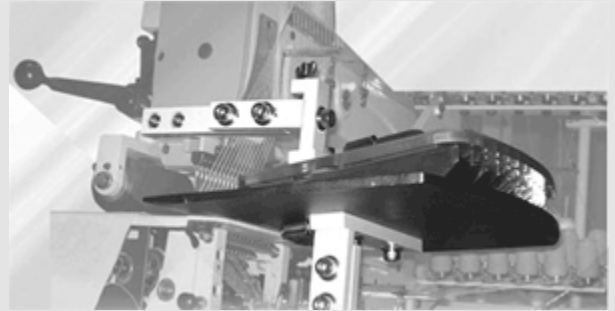
**Overlapped**



- Bracket is not included
- Applicable bracket: FKHF112

## FKHF1412

Pintucking Attachment for Kansai Special DFB-1412PTV



- FKHF1412-PTV 3/16"
- FKHF1412-PTV 1/4"
- FKHF1412-PTVB 3/16"
- FKHF1412-PTVB 1/4"

Special edition

- FKHF1412-PTV 1/8"
- FKHF1423-PTV 1/4"
- FKHF1425-PTV 1/4"
- FKHF1433-PTV 3/16"



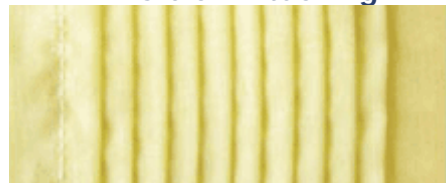
Presser feet & Center Slice for FKHF1412-PTVB

### Normal Pintucking



FKHF1412PTV and FKHF1412PTVB

### Invisible Pintucking



FKHF1412PTVB only

### Symmetric Pintucking



FKHF1412PTVB only