

Fraser Sewing Service Canada Ltd.

2006/2007

folders Catalogue

Volume 9 ----- Feed-off-the-arm Machine




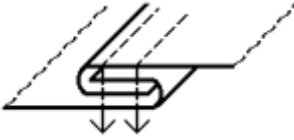
www.frasersewing.com

FKHF Attachments


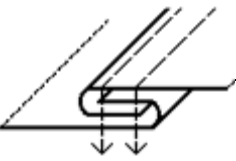
Feed-off-the-arm Machine

Attachment for Feed-off-the-arm Machine

FKHF32

	Side Seam Lapper (Japanese Style)								
		<table border="1"><tr><td colspan="2">Thickness: M, MH, H, XH</td></tr><tr><td colspan="2">Needle Space</td></tr><tr><td>1/8"</td><td>3/16"</td></tr><tr><td>1/4"</td><td>5/16"</td></tr></table>	Thickness: M, MH, H, XH		Needle Space		1/8"	3/16"	1/4"
Thickness: M, MH, H, XH									
Needle Space									
1/8"	3/16"								
1/4"	5/16"								

F23420

	Lap Seam Feller (American Style, such as Union Special 35800)						
		<table border="1"><tr><td colspan="2">Thickness</td></tr><tr><td>S</td><td>M</td></tr><tr><td>L</td><td>XL</td></tr></table>	Thickness		S	M	L
Thickness							
S	M						
L	XL						