

Fraser Sewing Service Canada Ltd.

**2006/2007**  
**folders Catalogue**

**Volume 6 ----- Cylinder-bed**




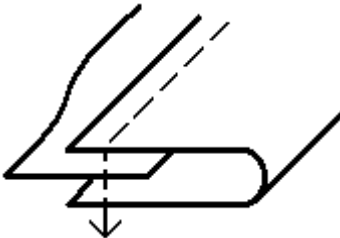
[www.frasersewing.com](http://www.frasersewing.com)

# FKHF Attachments

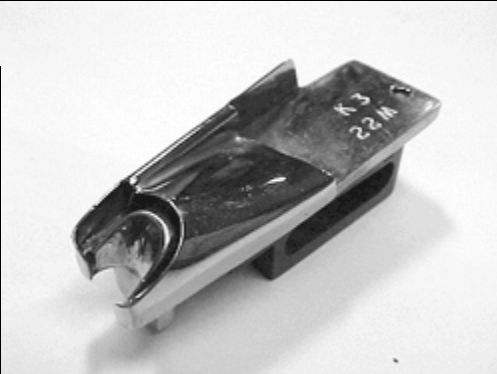
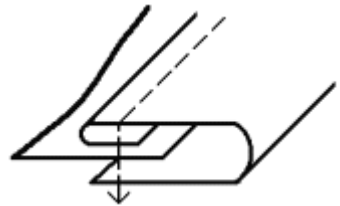
## Cylinder-bed

### Attachment for Cylinder-bed Machine

#### FKHF2

	<b>Raw Edge Binder for Small-sized Cylinder Bed Machine</b> ( For Thin Leather and Plastic Material )	
	Thickness: 5mm(S) / 7mm(H)	
	Tape size	
	10mm 13mm 16mm 20mm 24mm	12mm 14mm 18mm 22mm 26mm

#### FKHF3

	<b>Single Fold Binder for Small-sized Cylinder Bed</b> ( For Thin Leather and Plastic Material )	
	Thickness: 5mm(S) / 7mm(H)	
	Tape size	
	18mm 22mm 26mm	20mm 24mm 28mm

## FKHF8



### FKHF8 Binder for Large-sized Cylinder-bed Machine

( For Thin Leather and Plastic Material )

		Tape	Finished
	KHF8A Single Fold	5/8"	
		3/4"	
		7/8"	
		1"	
	KHF8B Double Fold	1"	1/4"
		1-1/4"	5/16"
		1-1/4"	3/8"

## FKHF26




### Suspended Raw Edge Binder for Large-sized Cylinder Bed Machine

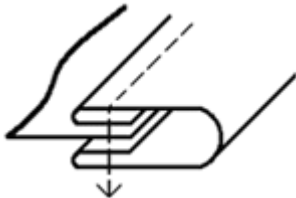
( For Thin Leather and Plastic Material )

		Tape Size	
		5/8"	3/4"
		7/8"	1"
		1-1/4"	1-1/2"

## FKHF27

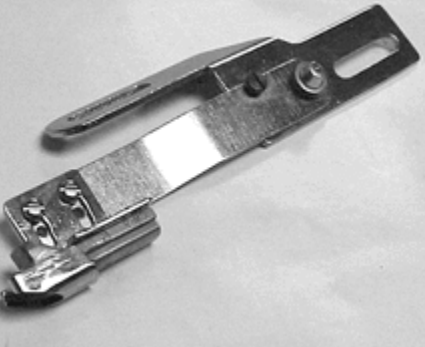


**Suspended Double Fold Binder  
for Large-sized Cylinder Bed Machine**  
(For Thin Leather and Plastic Material)



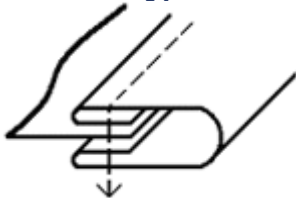
Tape Size	Finished Size
1"	1/4"
1-1/4"	5/16"
1-1/2"	3/8"

## FKHF48




**Binder for Large-sized Cylinder Bed Machine**  
( for thick leather and plastic material)

**B type**




Tape size	
18mm	20mm
22mm	24mm
26mm	28mm
30mm	32mm

**C Type**

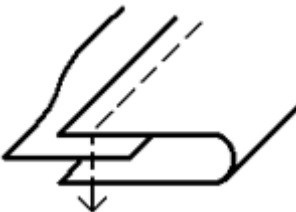


Tape Size	
10mm	12mm
13mm	14mm
18mm	20mm
22mm	24mm

**FKHF66**




**Binder for Small-sized Cylinder Bed Machine**  
( For Thin Leather and Plastic Material)

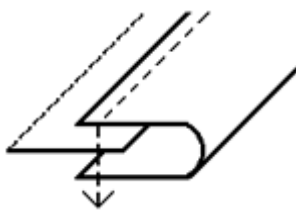


Tape Size	
1/2"	5/8"
3/4"	7/8"
1"	

**FKHF91**



**FKHF91**  
Binder for Small-sized Cylinder Bed Machine



Tape size	
1/2"	5/8"
3/4"	7/8"
1"	

**FKHF205**

**FKHF205**  
Binder for Durkopp Adler 205-370 machine

*for* **DURKOPP ADLER** **205-370**

Single needle lockstitch barrel shuttle free-arm machine for heavy-weight applications





**KHF205-91275**  
45° Moving Binder, Double Folding  
= N015 V91275

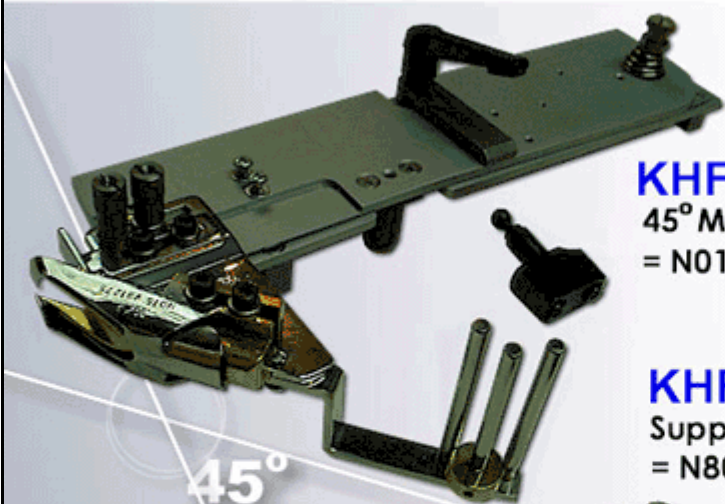


**KHF205B**  
Support Sheet  
= N800 005355



# **DURKOPP ADLER 205-370**

Single needle lockstitch barrel shuttle free-arm machine  
for heavy-weight applications

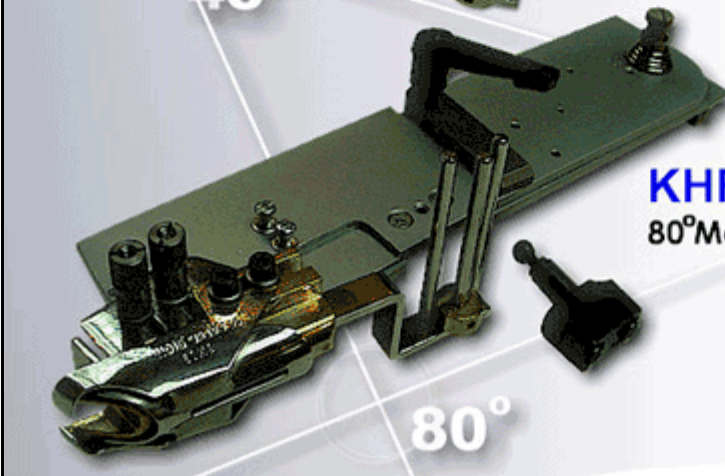
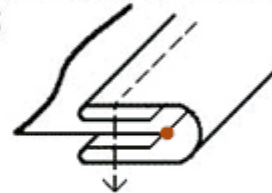


## **KHF205-91275**

45° Moving Binder, Double Folding  
= N015 V91275

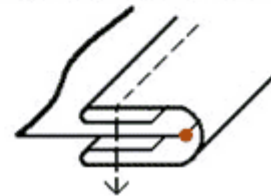
## **KHF205B**

Support Sheet  
= N800 005355

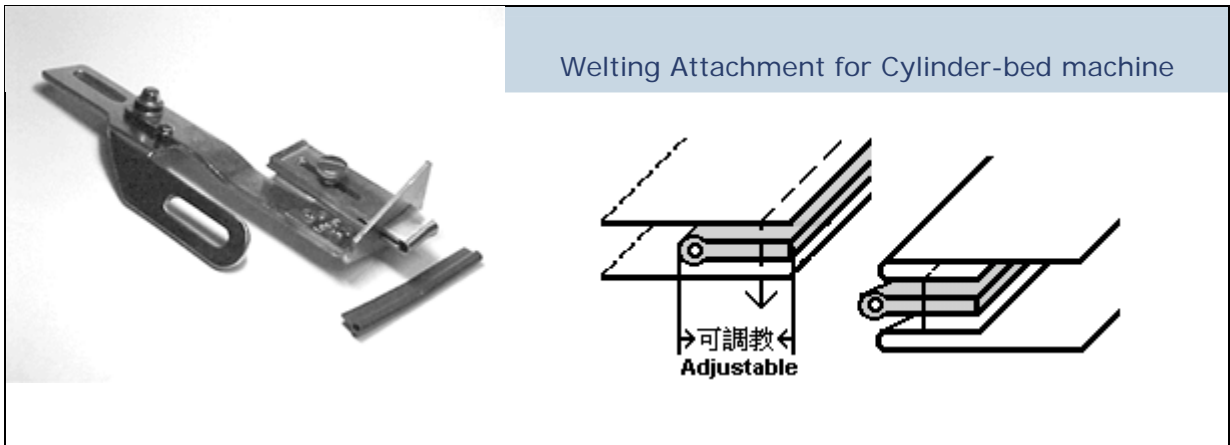


## **KHF205-91275S**

80° Moving Binder, Double Folding



## FKHF-341T



## F23564

